

Technical News Bulletin

June 1995

Quick-Change Cartridge 62-3051

Field experience with Quick-Change Cartridges 62-3051 has shown that the spring retainer may be damaged during operation under certain conditions.

This may be due to residual contaminants in the bottom of the plunger mechanism cylinder which cause the thimble piston to hit the top of the retainer.

Furthermore, retainer rotation can cause disengagement of the bayonet lock, and, hence, damage to the lugs.

To remedy this problem, the spring retainer has been redesigned and provided with a slot at the bayonet lug. A key attached to the lower end of the thimble piston engages in this slot, thereby preventing the spring retainer from turning. The new spring retainer, part no. 62-6679, is manufactured to closer height tolerances to prevent any impact with the thimble piston, due to tolerance additions of the individual cartridge parts.

Introduced together with new assembly groups, these design modifications became effective as of May 1995.

Existing Quick-Change Cartridges can be converted to the new assembly groups as per the attached drawing 62-C-11029, Q.C. Cartridge 62-D-3051 Conversion. The required thimble piston modification is shown on the attached drawing 62-C-6678.

The new spring retainer is a common element for all new 62-3051 Quick-Change Cartridge assembly groups and therefore required different spacers on certain assembly groups as listed below.

To avoid damage to the spring retainer, make sure that the proper spacer is used where applicable and that there are no residual contaminants in the bottom of the plunger mechanism cylinder when installing the cartridge.

Cartridge Type	New Part No.	Replaced Part No.	Spacer Part No.	Thickness
DG 5"	62-3051 Gr. 8	62-3051 Gr. 2	-	-
DG 5 1/2", DG 6 1/4"	62-3051 Gr. 9	62-3051 Gr. 3	62-6681	7.2 mm
DG 4 1/4", TG 4 1/4"	62-3051 Gr. 10	62-3051 Gr. 4	62-6680	11.1 mm
SG	62-3051 Gr. 11	62-3051 Gr. 6	-	-

Replaced cartridges will no longer be manufactured and supplied as complete units.
The thimble piston (part no. 62-2914) is replaced by part no. 62-6682 which is to be used for spare part orders for the replaced cartridges.

Mold Equipment

Mold equipment is not affected by this design improvement. All new and replaced assembly groups of the Quick-Change Cartridge 62-3051 use the same finish equipment which is identical to that used on Quick-Change Cartridge 62-170.

Refer to the following EMHART Mold Design Data Sheets for finish equipment components:

IS-425-2-410 - IS-425-2-415
DG 4 1/4 Mold Design Manual (Metric) ZG 384/0294

IS-24-613 - IS-24-618
DG 4 1/4 Mold Design Manual (Inch) TP-1012

IS-500-2-410 - IS-500-2-415
DG 5" Mold Design Manual ZG 168/1093

191-25229 - 191-25240
AIS - TG 4 1/4 Mold Design Manual ZH 332/1190

Safety Notice:

Never operate the Q.C. Cartridge without the spring retainer. Severe injuries could occur when removing the cartridge from the plunger mechanism.

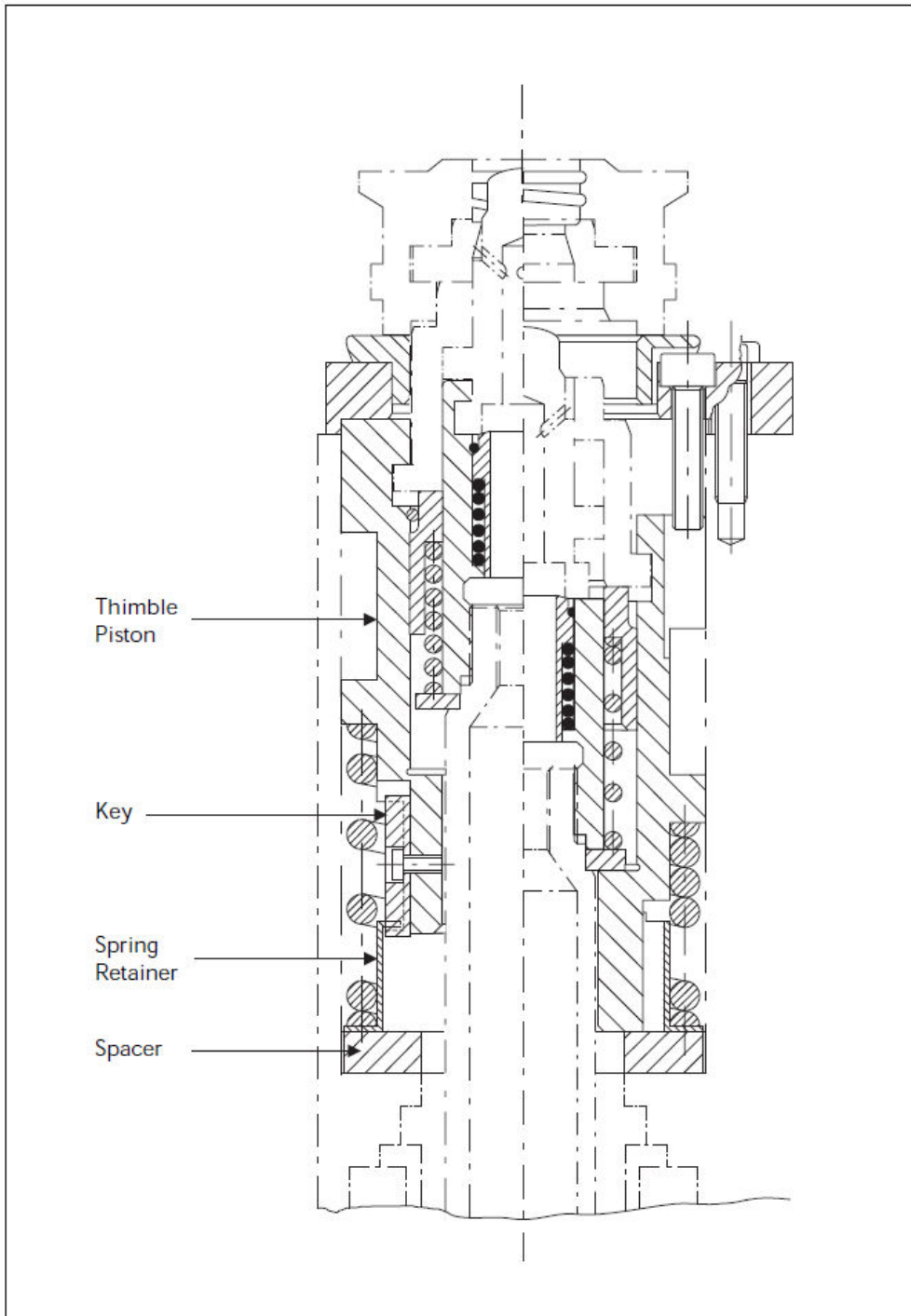


Fig. 1: Quick-Change Cartridge 62-3051 Group 10 shown

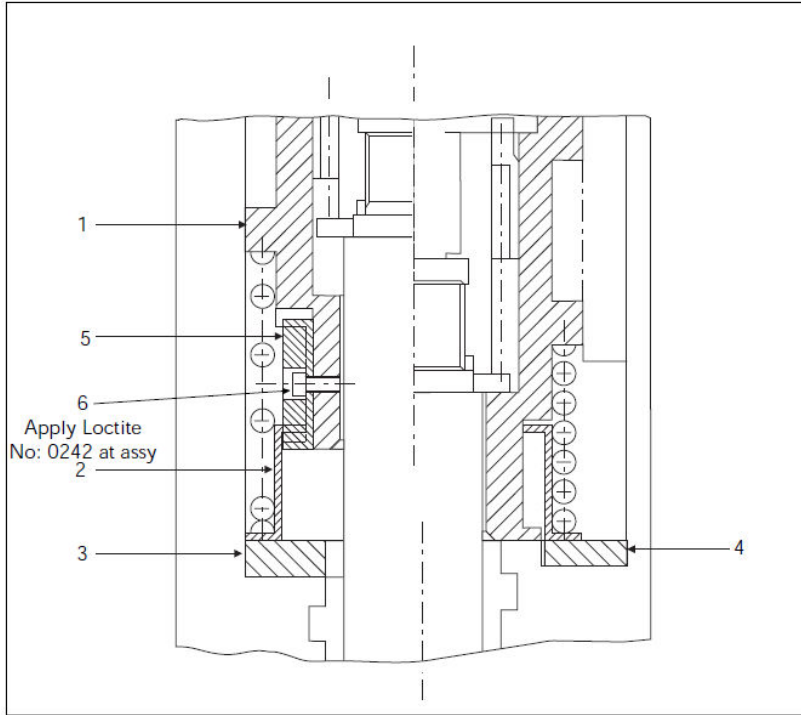


Fig. 2: Quick-Change Cartridge 62-3051 Conversion

NOTES:

- I Parts to Convert 62-D-3051 GR.2 to GR.8
- II Parts to Convert 62-D-3051 GR.3 to GR.9
- III Parts to Convert 62-D-3051 GR.4 to GR.10
- IV Parts to Convert 62-D-3051 GR.5 to GR.11

	DESCRIPTION	PART No	SEE NOTE I	SEE NOTE II	SEE NOTE III	SEE NOTE IV
1	PISTON ALTERATION	62-C-6678	X	X	X	X
2	RETAINER, SPRING	62-6679	1	1	1	1
3	SPACER	62-6680	-	-	1	-
4	SPACER	62-6681	-	1	-	-
5	KEY	62-6308	1	1	1	1
6	10-32 x ³ / ₈ LG. LOW HD	2640-1875	1	1	1	1

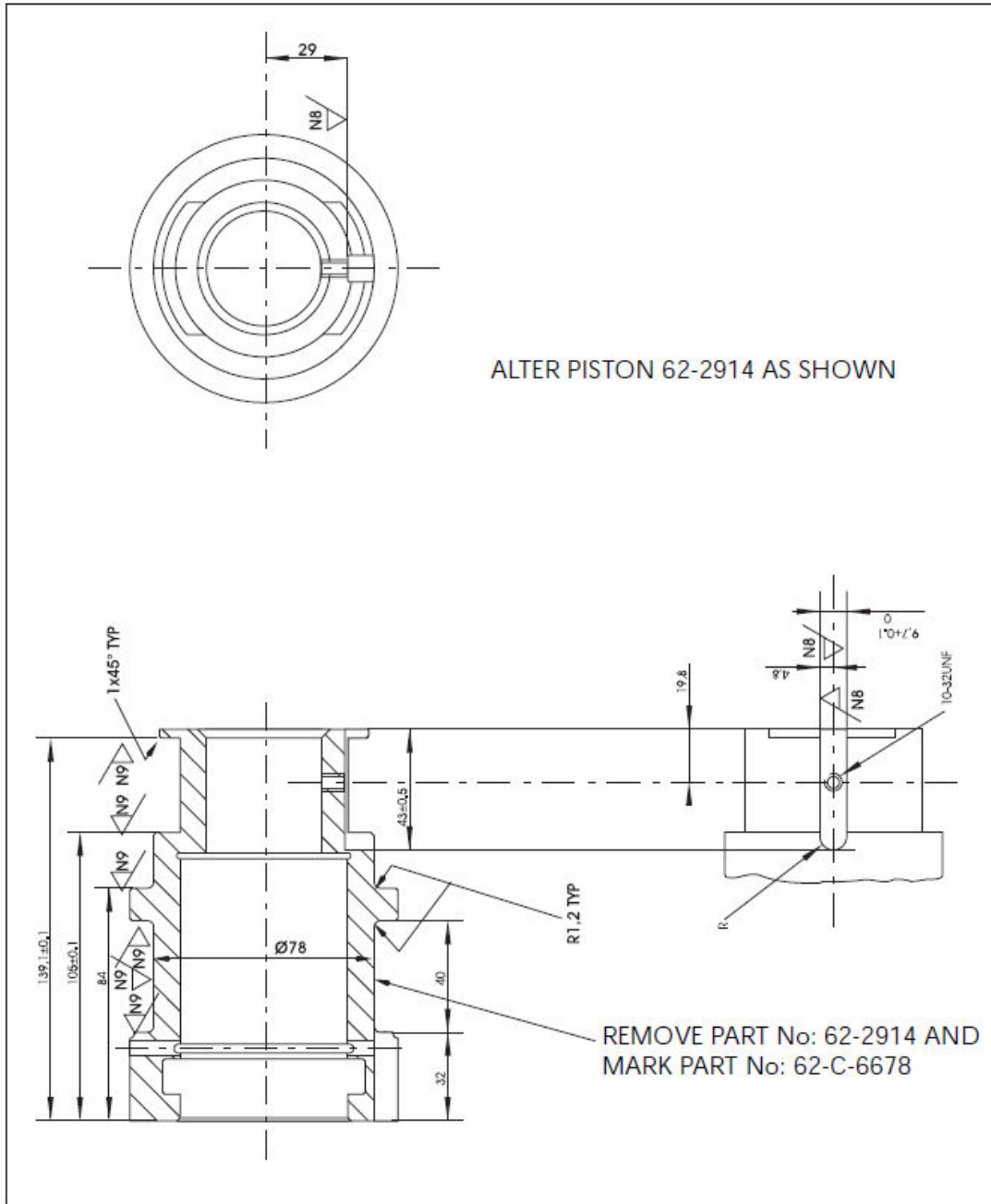


Fig. 3: Piston Alteration 62-C-6678